

Product information presented here reflects conditions at time of publication. Consult factory regarding discrepancies or inconsistencies.

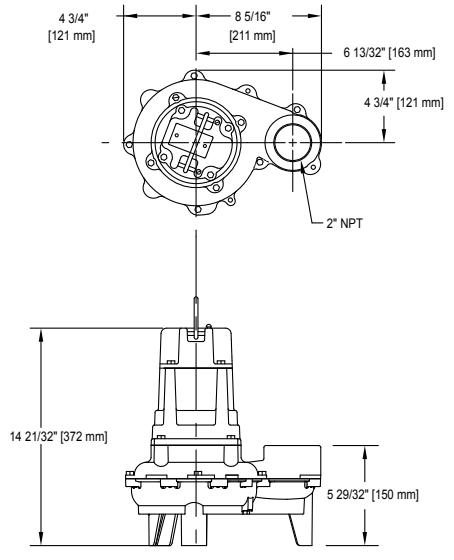
# TECHNICAL DATA SHEET WASTE-MATE SERIES

## Models 270, 4270 Sewage/\*Effluent or Dewatering Pumps

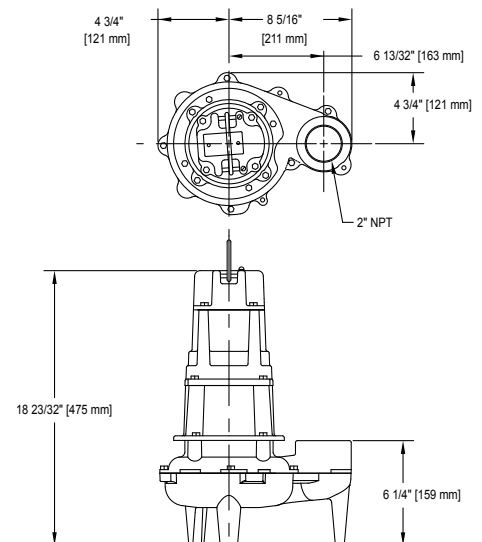
### PRODUCT SPECIFICATIONS

<b>MOTOR</b>	Horse Power	1
	Voltage	115 or 230
	Phase	1 Ph
	Hertz	60 Hz
	RPM	3450
	Type	Permanent split capacitor
	Insulation	Class B
	Amps	7.5 - 15.0
<b>PUMP</b>	Operation	nonautomatic
	Discharge Size	2" NPT
	Solids Handling	2" (50 mm) spherical solids
	Cord Length	20' (6 m) standard
	Cord Type	UL listed 3-wire neoprene cord and plug
	Max. Head	29' (8.8 m)
	Max. Flow Rate	132 GPM (500 LPM)
	Max. Operating Temp.	130° F (54° C)
	Cooling	Oil filled
	Motor Protection	Auto reset thermal overload
<b>MATERIALS</b>	Cap	Cast iron
	Motor Housing	Cast iron
	Pump Housing	Cast iron
	Base	Cast iron or engineered plastic
	Upper Bearing	Sleeve bearing
	Lower Bearing	Ball bearing
	Mechanical Seals	Carbon and ceramic
	Impeller Type	Non-clogging vortex
	Impeller	Engineered plastic
	Hardware	Stainless steel
	Motor Shaft	JIS S45C steel
	Gasket	Neoprene
	Min. Basin Size	Simplex: 24" x 30" (60.9 x 76.2 cm) Duplex: 36" x 36" (91.4 x 91.4 cm)

#### SINGLE SEAL



#### DOUBLE SEAL



SK1532

NOTE: The sizing of effluent systems normally requires variable level float(s) controls and properly sized basins to achieve required pumping cycles or dosing timers with nonautomatic pumps.

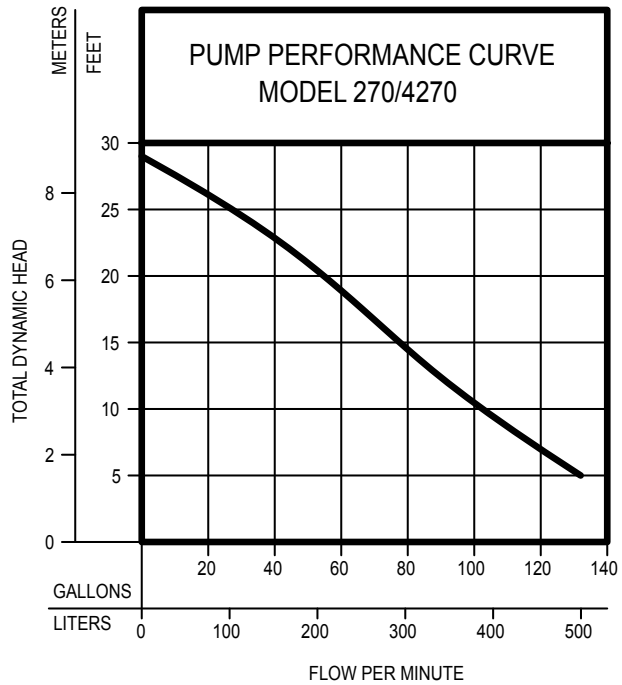
NOTE: See model comparison chart for specific details.

\* May be used in those states where codes do not restrict solids size in effluent systems.



## TOTAL DYNAMIC HEAD FLOW PER MINUTE

MODEL		270/4270	
Feet	Meters	Gal.	Liters
5	1.5	132	500
10	3.0	101	382
15	4.6	77	291
20	6.1	56	212
25	7.6	29	110
Shut-off Head:		29 ft.(8.8m)	



013220

Model	MODEL COMPARISON										
	Seal	Mode	Volts	Ph	Amps	HP	Hz	Lbs	Kg	Simplex	Duplex
BN270	Single	Auto	115	1	15.0	1	60	49	22	1 or 2	3
BE270	Single	Auto	230	1	7.5	1	60	73	33	1 or 2	3
N270	Single	Non	115	1	15.0	1	60	49	22	1 or 2	3
N4270	Double	Non	115	1	15.0	1	60	73	33	1 or 2	3
E270	Single	Non	230	1	7.5	1	60	49	22	1 or 2	3
E4270	Double	Non	230	1	7.5	1	60	73	33	1 or 2	3

Additional cord lengths are available in 15' (5 m), 35' (11 m) and 50' (15 m).

### SELECTION GUIDE

- For automatic use single piggyback variable level float switch or double piggyback variable level float switch. Refer to FM0477.
- See FM1228 for correct model of simplex control panel.
- See FM0712 for correct model of duplex control panel.

### CONSULT FACTORY FOR SPECIAL APPLICATIONS

- Electrical alternators for duplex systems available with variable level control switches.
- Minimum recommended basin size (small load applications):  
Simplex - 18" x 30" (45.7 x 76.2 cm)  
Duplex - 30" x 30" (76.2 x 76.2 cm)

Standard All Models -

- 270 - Weight 49 lbs. (22.2 kg)
- 4270 - Weight 73 lbs. (33.1 kg)

- High water alarms available
- Mechanical alternators available for duplex systems

**CAUTION** Maximum temperature of sewage or dewatering must be limited to 130°F (54°C). For over 130°F (54°C), special quotation required.

**CAUTION** All installation of controls, protection devices and wiring should be done by a qualified licensed electrician. All electrical and safety codes should be followed including the most recent National Electrical Code (NEC) and the Occupational Safety and Health Act (OSHA).