

Product information presented here reflects conditions at time of publication. Consult factory regarding discrepancies or inconsistencies.



# TECHNICAL DATA SHEET

## HIGH HEAD WASTE-MATE SERIES

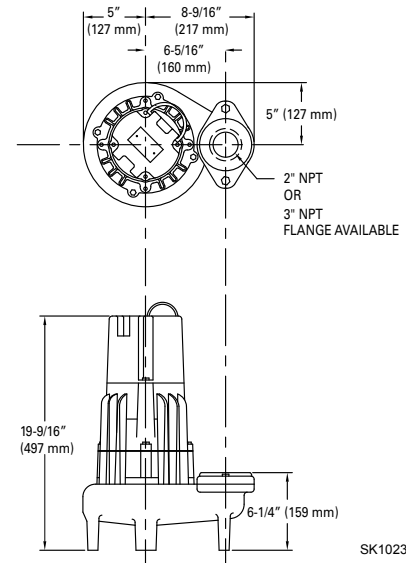
Models 282/4282, 284/4284

### Submersible Sewage Pumps

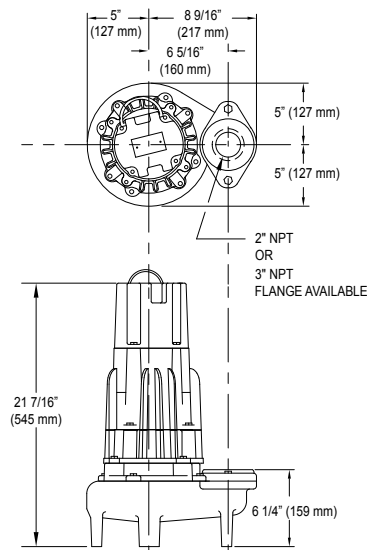
#### PRODUCT SPECIFICATIONS

<b>MOTOR</b>	Horse Power	1/2 (282/4282) or 1 (284/4284)	
	Voltage	115 - 575	
	Phase	1 or 3 Ph	
	Hertz	60 Hz	
	RPM	1750	
	Type	Permanent split capacitor or 3 Ph	
	Insulation	Class B	
	Amps	1.4 - 10.3	
	<b>PUMP</b>	Operation	Automatic or nonautomatic
		Auto On/Off Points	16-1/2" (40.6 cm) / 5-1/4" (13 cm)
Discharge Size		2" or 3" NPT female, flanged vertical	
Solids Handling		2" (50 mm) spherical solids	
Cord Length		10' (3 m) automatic, 15' (5 m) nonautomatic	
Cord Type		1 Ph-UL listed 3-wire neoprene cord and plug 3 Ph-4wire with no plug	
Max. Head		35' (10.7 m)	
Max. Flow Rate		179 GPM (678 LPM)	
Max. Operating Temp.		130° F (54° C)	
Cooling		Oil filled	
Motor Protection	Auto reset thermal overload (1 Ph)		
<b>MATERIALS</b>	Upper Bearing	Ball bearing	
	Lower Bearing	Ball bearing	
	Mechanical Seals	Carbon and ceramic	
	Impeller Type	Non-clogging vortex	
	Impeller	Cast iron	
	Hardware	Stainless steel	
	Gasket	Neoprene square ring and gasket	

#### SINGLE SEAL



#### DOUBLE SEAL



\*Single seal models are built with a carbon steel motor shaft, and double seal models are built with a stainless steel motor shaft.

All Class 30 cast iron construction.

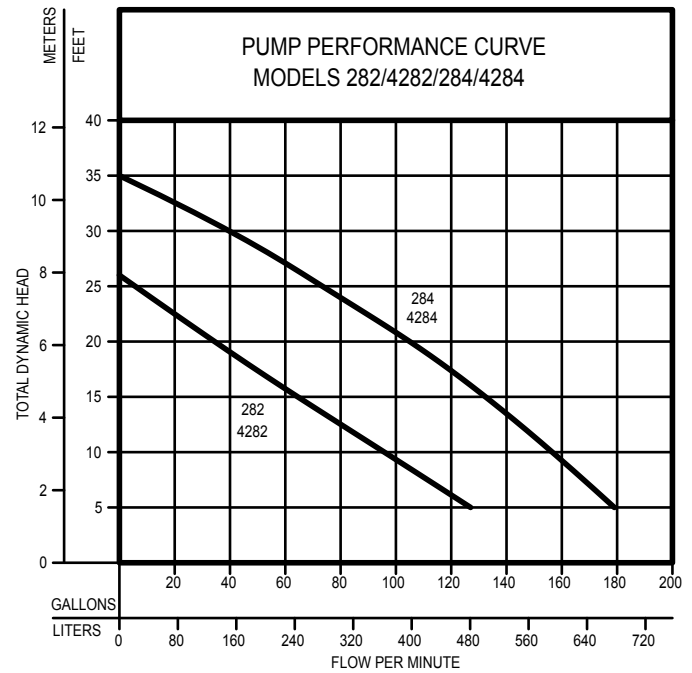
NOTE: The sizing of effluent systems normally requires variable level float(s) controls and properly sized basins to achieve required pumping cycles or dosing timers with nonautomatic pumps.

NOTE: See model comparison chart for specific details.



## TOTAL DYNAMIC HEAD FLOW PER MINUTE

MODELS		282/4282		284/4284	
Feet	Meters	Gal.	Liters	Gal.	Liters
5	1.5	127	481	179	678
10	3.0	96	363	157	594
15	4.6	64	242	133	503
20	6.1	34	129	106	401
25	7.6	6	23	73	276
30	9.1	--	--	42	159
Shut-off Head		26 ft. (7.9m)		35 ft. (10.7m)	



009927

Model	MODEL COMPARISON											CERTIFICATIONS	
	Seal	Mode	Volts	Ph	Amps	HP	Hz	Lbs	Kg	Simplex	Duplex	cCSAus	UL
M282	Single	Auto	115	1	10.3	1/2	60	82	37	1	---	Y	Y
N282/N4282	Single / Dbl	Non	115	1	10.3	1/2	60	82 / 88	37 / 40	2 or 3	4	Y	Y
BN282	Single	Auto	230	1	10.3	1/2	60	83	38	---	---	Y	Y
D282	Single	Auto	230	1	5.0	1/2	60	82	37	1	---	Y	Y
E282/E4282	Single / Dbl	Non	230	1	5.0	1/2	60	82 / 88	37 / 40	2 or 3	4	Y	Y
* H282	Single	Auto	200	1	6.1	1/2	60	82	37	1	---	N	N
* I282/I4282	Single / Dbl	Non	200	1	6.1	1/2	60	82 / 88	37 / 40	3	4	N	N
* J282/J4282	Single / Dbl	Non	200	3	3.6	1/2	60	82 / 88	37 / 40	3	4	Y	Y
* F282/F4282	Single / Dbl	Non	230	3	3.0	1/2	60	82 / 88	37 / 40	3	4	Y	Y
BE282	Single	Auto	230	1	5.0	1/2	60	83	38	---	---	Y	Y
* CF282	Single	Auto	230	3	3.0	1/2	60	82	37	1	---	N	Y
* G282/G4282	Single / Dbl	Non	460	3	1.7	1/2	60	82 / 88	37 / 40	3	4	Y	Y
* BA282/BA4282	Single / Dbl	Non	575	3	1.4	1/2	60	82 / 88	37 / 40	3	4	Y	N
D284	Single	Auto	230	1	8.9	1	60	85	39	1	---	Y	Y
E284/E4284	Single / Dbl	Non	230	1	8.9	1	60	85 / 91	39 / 41	2 or 3	4	Y	Y
* H284	Single	Auto	200	1	9.3	1	60	85	39	1	---	N	N
* I284/I4284	Single / Dbl	Non	200	1	9.3	1	60	85 / 91	39 / 41	3	4	N	N
* J284/J4284	Single / Dbl	Non	200	3	5.5	1	60	85 / 91	39 / 41	3	4	Y	Y
* F284/F4284	Single / Dbl	Non	230	3	5.0	1	60	85 / 91	39 / 41	3	4	Y	Y
BE284	Single	Auto	230	1	8.9	1	60	85	39	---	---	Y	Y
* CF284	Single	Auto	230	3	5.0	1	60	85	39	1	---	N	Y
* G284/G4284	Single / Dbl	Non	460	3	2.6	1	60	85 / 91	39 / 41	3	4	Y	Y
* BA284/BA4284	Single / Dbl	Non	575	3	2.2	1	60	85 / 91	39 / 41	3	4	Y	N

\* no molded plug    Additional cord lengths are available in 15' (5 m), 25' (8 m), 35' (11 m) and 50' (15 m).

### SELECTION GUIDE

1. Integral float-operated mechanical switch, no external control required.
2. For automatic use single piggyback variable level float switch or double piggyback variable level float switch. Refer to FM0477.
3. See FM1228 for correct model of simplex control panel.
4. See FM0712 for correct model of duplex control panel.
5. Variable level control switch 10-0743 used as a control activator, specify simplex (3) float or duplex (4) float system. Refer to FM0526.



All installation of controls, protection devices and wiring should be done by a qualified licensed electrician. All electrical and safety codes should be followed including the most recent National Electrical Code (NEC) and the Occupational Safety and Health Act (OSHA).