

Your Peace of Mind is Our Top Priority®



SECTION: Z1.20.120

ZM1375

0317

Supersedes

0616

Product information presented here reflects conditions at time of publication. Consult factory regarding discrepancies or inconsistencies.

ENGINEERED PRODUCTS

Zoeller Family of Water Solutions™

MAIL TO: P.O. BOX 16347 • Louisville, KY 40256-0347
 SHIP TO: 3649 Cane Run Road • Louisville, KY 40211-1961
 (502) 778-2731 • 1 (800) 928-PUMP • FAX (502) 774-3624

visit our web site:
www.zoeller.com



Tested to UL Standard UL778.



Certified to CSA Standard C22.2 No.108.

**PERFORMANCE DATA COMMERCIAL SEWAGE PUMPS
 MODELS 6292, 6293, 6294, 6295**



GENERAL DATA

	<input type="checkbox"/> 6292	<input type="checkbox"/> 6293	<input type="checkbox"/> 6294	<input type="checkbox"/> 6295
PUMP NAME PLATE HORSEPOWER:	1/2 HP	1 HP	1-1/2 HP	2 HP
SOLID SIZE: in (mm)	2" (50 mm)	2" (50 mm)	2" (50 mm)	2" (50 mm)
MINIMUM HEAD: ft. (m)	5.0' (1.5 m)	15.0' (4.6 m)	5.0' (1.5 m)	5.0' (1.5 m)
MAXIMUM HEAD: ft. (m)	40' (12.2 m)	51' (15.5 m)	62' (18.9 m)	75' (22.9 m)
MAX.FLOW GPM (L/min) @ MIN. HEAD ft. (m)	135 GPM @ 5' (511 L/min @ 1.5 m)	122 GPM @ 15' (462 L/min @ 4.6 m)	196 GPM @ 5' (742 L/min @ 1.5 m)	214 GPM @ 5' (810 L/min @ 1.5 m)
DISCHARGE SIZE: VERTICAL FEMALE	<input type="checkbox"/> 2" NPT <input type="checkbox"/> 3" NPT	<input type="checkbox"/> 2" NPT <input type="checkbox"/> 3" NPT	<input type="checkbox"/> 2" NPT <input type="checkbox"/> 3" NPT	<input type="checkbox"/> 2" NPT <input type="checkbox"/> 3" NPT

PUMP NET WEIGHT: lbs (kg)	93-96 lbs (42-44 kg)	MOTOR TYPE:	SUBMERSIBLE	
SERVICE FACTOR:	1.15	TYPE SOW POWER CORD LENGTH: ft (m)	25' (7.62 m) <input type="checkbox"/> _____'	
MOTOR DESIGN LETTER:	NEMA B	MOTOR SHAFT:	416 S.S.	
IMPELLER TYPE:	CAST IRON VORTEX OPTIONAL <input type="checkbox"/> BRONZE VORTEX	STATOR AND LEAD WIRES INSULATION:	6292 & 6293	CLASS B
			6294 & 6295	CLASS F
O-RINGS AND COVER GASKET:	VITON	MAXIMUM STATOR TEMPERATURE:	CLASS B	266 °F (130 °C)
RPM:	3450		CLASS F	311 °F (155 °C)

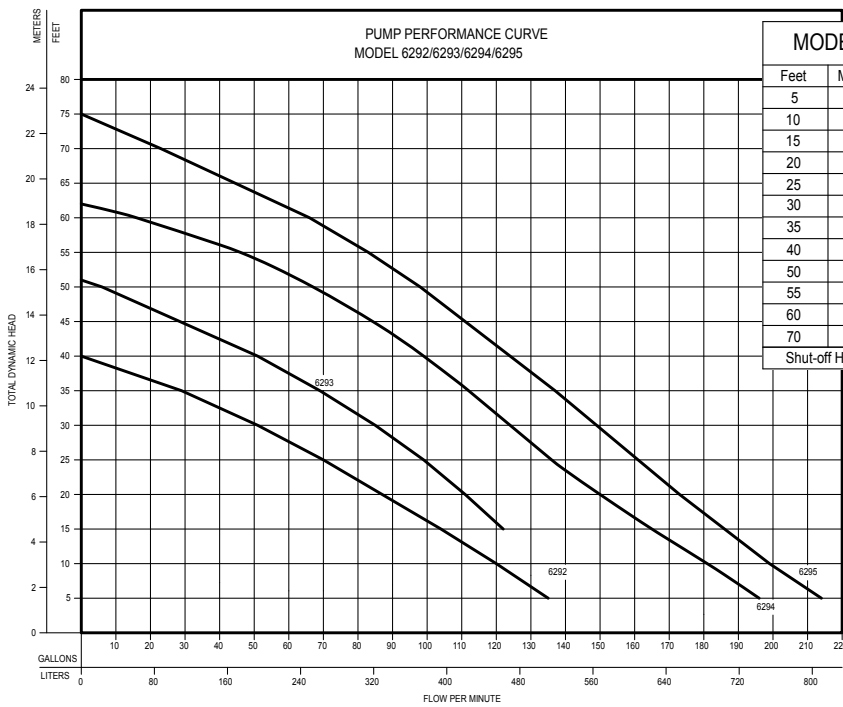
SHAFT SEAL CONSTRUCTION:	STANDARD	UPPER-CARBON / CERAMIC, LOWER-SILICON CARBIDE / CARBON
	OPTIONAL <input type="checkbox"/> UPPER <input type="checkbox"/> LOWER	<input type="checkbox"/> SILICON CARBIDE / CARBON <input type="checkbox"/> SILICON CARBIDE / SILICON CARBIDE <input type="checkbox"/> SILICON CARBIDE / SILICON CARBIDE
MOTOR THERMAL SHUTOFF:	STANDARD (Single Phase Only)	THERMAL OVERLOAD SWITCH WITH AUTOMATIC RESET
MOISTURE DETECTION:	<input type="checkbox"/> OPTIONAL*	MOISTURE SENSING PROBES
MINIMUM RECOMMENDED FLUID LEVEL: in (m)		10" (254 mm)
MAXIMUM WATER TEMPERATURE:		130 °F (54 °C)
		120 °F (49 °C) FOR WD6295

*Requires a circuit in control panel to function.
 **See back side for listed UL and CSA models.

ELECTRICAL DATA

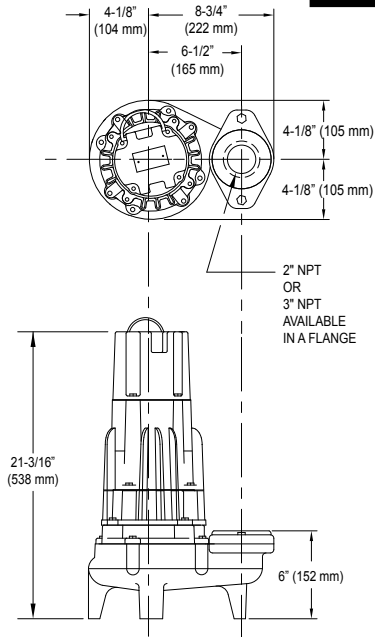
MODEL	HP	<input type="checkbox"/> 115 V / 1 Ph		<input type="checkbox"/> 200-208 V / 1 Ph		<input type="checkbox"/> 230 V / 1 Ph		<input type="checkbox"/> 200-208 V / 3 Ph		<input type="checkbox"/> 230 V / 3 Ph		<input type="checkbox"/> 460 V / 3 Ph		<input type="checkbox"/> 575 V / 3 Ph	
		FLA	LRA	FLA	LRA	FLA	LRA	FLA	LRA	FLA	LRA	FLA	LRA	FLA	LRA
<input type="checkbox"/> 6292	1/2	15.0	52.2	8.8	19.8	7.5	15.1	6.4	23.6	5.2	24.0	2.9	12.0	2.4	11.3
<input type="checkbox"/> 6293	1	--	--	12.0	34.0	10.2	31.0	8.2	30.0	7.6	27.0	4.0	14.0	3.3	12.0
<input type="checkbox"/> 6294	1-1/2	--	--	17.8	48.3	13.7	38.0	10.8	42.0	9.5	35.0	4.8	18.0	3.8	18.0
<input type="checkbox"/> 6295	2	--	--	20.5	48.3	17.1	38.0	14.3	42.0	12.2	35.0	6.1	18.0	4.9	18.0

Refer to reverse side for Head/Capacity Performance Curves



MODEL		6292		6293		6294		6295	
Feet	Meters	Gal.	Liters	Gal.	Liters	Gal.	Liters	Gal.	Liters
5	1.5	135	511	--	--	--	--	214	810
10	3.0	120	454	--	--	181	685	199	753
15	4.6	104	394	122	462	165	625	186	704
20	6.1	87	329	111	420	150	568	173	655
25	7.6	70	265	99	375	136	515	161	609
30	9.1	51	193	85	322	124	469	149	564
35	10.7	29	110	69	261	112	424	137	519
40	12.2	--	--	51	193	99	375	124	469
50	15.2	--	--	6	23	67	254	98	371
55	16.8	--	--	--	--	46	174	83	314
60	18.3	--	--	--	--	16	61	66	250
70	21.3	--	--	--	--	--	--	23	87
Shut-off Head:		40 ft. (12.2 m)		51 ft. (15.5 m)		62 ft. (18.9 m)		75 ft. (22.9 m)	

**Double Seal Design
Weight 93-96 lbs.
(42-44 kg)**



SK1415

FEATURES

- Durable Epoxy Coated cast iron construction.
- Motor - 1/2 HP - 2 HP, 60 Hz, 3450 RPM, 1 Ph or 3 Ph, oil filled, hermetically sealed, automatic reset, thermal overload protected (1 Ph).
- Bearings - Upper and lower ball bearings
- Stainless Steel Motor Shaft
- Dual Mechanical Shaft Seals - Upper carbon/ceramic, Lower silicon carbide/carbon. Optional seal materials available
- Viton O-ring seals and cover gasket
- Impeller - Non-clogging cast iron vortex design passes 2" (50 mm) spherical solids. Optional bronze available.
- 25 foot (7.6 m) UL Listed 3-wire neoprene cord and plug. Longer cords available in lengths of 35-50 feet (10-15 m).
- No screens to clog.
- Stainless steel screws, bolts and handle.
- 2" NPT discharge with 3" flange available.
- Corrosion resistant powder coated epoxy finish.
- Moisture sensors available for early warning of seal failure. (Optional)
- 100% computerized tested.

SELECTION GUIDE

1. Single or Double piggyback variable level float switch pump control using the 15 amp plug and receptacle. Refer to ZM1536.
2. Single piggyback variable level float switch, hard wiring the pump lead wires to the float switch leads.
3. Refer to ZM1342 and select the correct simplex control panel listed for the pump. Refer to ZM1536 and select the desired variable level control switch, 3 required.
4. Refer to ZM1342 and select the correct duplex control panel listed for the pump. Refer to ZM1536 and select the desired variable level control switch, 3 or 4 required.

CAUTION

All installation of controls, protection devices and wiring should be done by a qualified licensed electrician. All electrical and safety codes should be followed including the most recent National Electrical Code (NEC) and the Occupational Safety and Health Act (OSHA).

Standard all models - 25 ft. (7.6 m) cord - 1/2 HP

6292 MODELS	Control Selection (See Selection Guide)					Listings	
	Volts	Ph	Amps	Simplex	Duplex	UL	cCSAus
*N6292	115	1	15.0	2 or 3 **	4	Yes ⁽¹⁾	Yes
E6292	230	1	7.5	1, 2 or 3	4	No	Yes
I6292	200	1	8.8	2 or 3	4	No	Yes
J6292	200	3	6.4	3	4	No	Yes
F6292	230	3	5.2	3	4	No	Yes
G6292	460	3	2.9	3	4	No	Yes
BA6292	575	3	2.4	3	4	No	Yes

Standard all models - 25 ft. (7.6 m) cord - 1 HP

6293 MODELS	Control Selection (See Selection Guide)					Listings	
	Volts	Ph	Amps	Simplex	Duplex	UL	cCSAus
*E6293	230	1	10.2	1, 2 or 3	4	Yes	Yes
I6293	200	1	12.0	2 or 3	4	No	Yes
J6293	200	3	8.2	3	4	Yes	Yes
F6293	230	3	7.6	3	4	Yes	Yes
G6293	460	3	4.0	3	4	Yes	Yes
BA6293	575	3	3.3	3	4	No	Yes

Standard all models - 25 ft. (7.6 m) cord - 1-1/2 HP

6294 MODELS	Control Selection (See Selection Guide)					Listings	
	Volts	Ph	Amps	Simplex	Duplex	UL	cCSAus
*E6294	230	1	13.7	2 or 3 **	4	Yes ⁽¹⁾	Yes
I6294	200	1	17.8	2 or 3	4	No	Yes
J6294	200	3	10.8	3	4	Yes	Yes
F6294	230	3	9.5	3	4	Yes	Yes
G6294	460	3	4.8	3	4	Yes	Yes
BA6294	575	3	3.8	3	4	No	Yes

Standard all models - 25 ft. (7.6 m) cord - 2 HP

6295 MODELS	Control Selection (See Selection Guide)					Listings	
	Volts	Ph	Amps	Simplex	Duplex	UL	cCSAus
*E6295	230	1	17.1	2 or 3	4	Yes ⁽¹⁾	Yes ⁽²⁾
I6295	200	1	20.5	3	4	No	Yes
J6295	200	3	14.3	3	4	Yes	Yes
F6295	230	3	12.2	3	4	Yes	Yes
G6295	460	3	6.1	3	4	Yes	Yes
BA6295	575	3	4.9	3	4	No	Yes
WD6295	230	1	17.1	--	--	No	No

* Molded Plug

** Available with control selection #1 without UL Listing.

All pumps are available with optional moisture sensors. Seal Fail indicator light available in NEMA 4X control panels.

(1) UL Listed unit available with 20 Amp plug.

(2) CSA Approval with 20 Amp plug.

For additional information on Zoeller products refer to catalog for; Rail Systems, ZM1347; Float Switch Brackets, ZM1328; Check Valves, ZM1348; High Water Alarm Panels and Float Switches, ZM1536; Control Panels, ZM1342.